

# Bruciatori di gas ad aria soffiata

## Blown gas burners

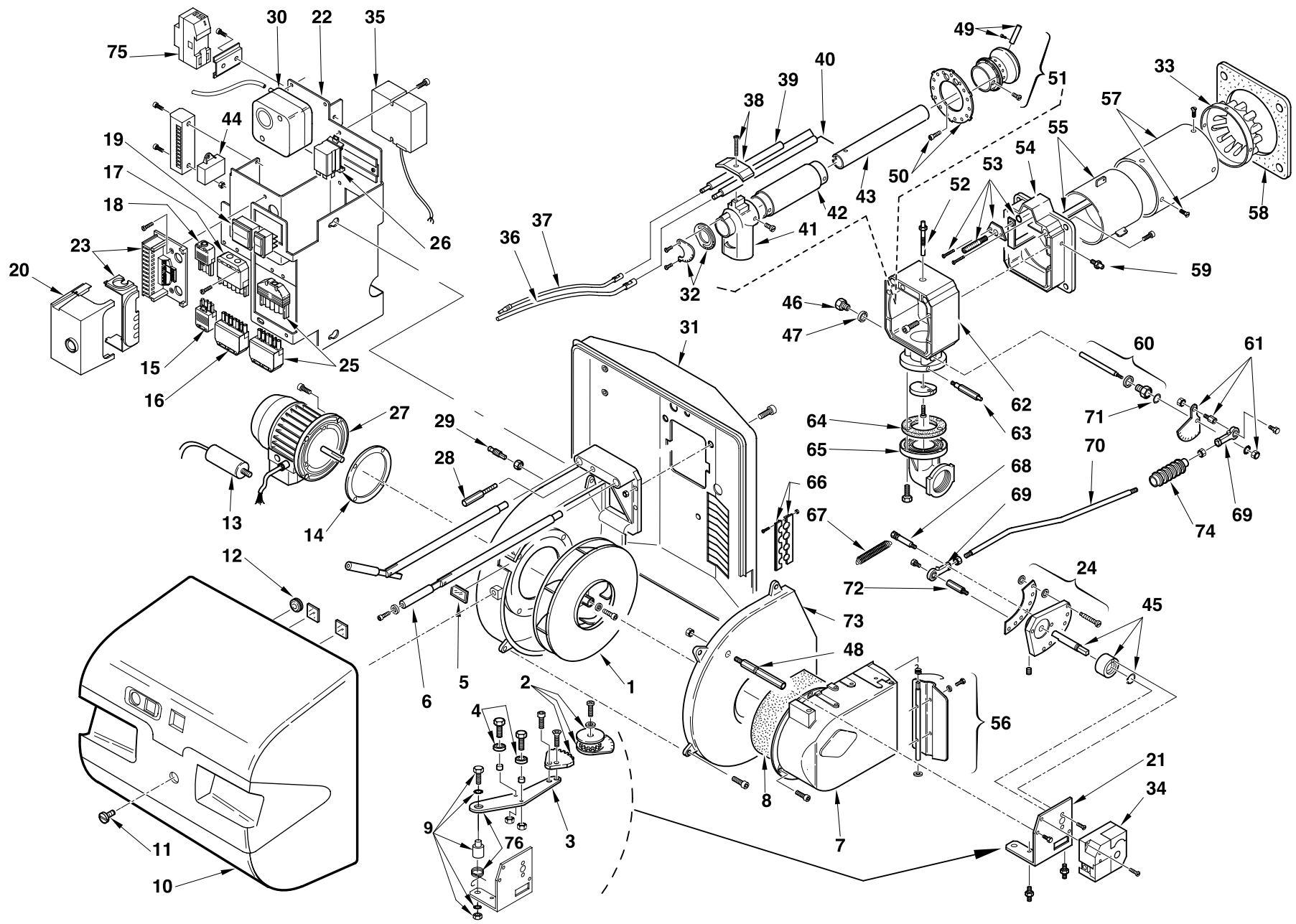
### Brûleurs gaz à air soufflé

### Gebläse-Gasbrenner

### Quemadores de gas

Funzionamento bistadio progressivo o modulante  
Progressive two-stage or modulating operation  
Fonctionnement à 2 allures progressives ou modulant  
Gleitend-zweistufiger oder modulierender Betrieb  
Funcionamiento a dos llamas progresivas o modulante

| COD.           | MOD.                              | TYP.           |
|----------------|-----------------------------------|----------------|
| <b>3897302</b> | <b>RS 45/M</b> <small>BLU</small> | <b>827 T2</b>  |
| <b>3897303</b> | <b>RS 45/M</b> <small>BLU</small> | <b>827 T2</b>  |
| <b>3897340</b> | <b>RS 45/M</b> <small>BLU</small> | <b>827 T41</b> |
| <b>3897341</b> | <b>RS 45/M</b> <small>BLU</small> | <b>827 T41</b> |



| N. | COD.     | 3897302-827 T2 | 3897303-827 T2 * | 3897340-827 T41 | 3897341-827 T41 * | DESCRIZIONE            | DESCRIPTION          | DESCRIPTION               | BESCHREIBUNG                  | DENOMINACION                     | MATRICOLA BRUCIATORE | RICAMBI CONSIGLIATI  |                        |
|----|----------|----------------|------------------|-----------------|-------------------|------------------------|----------------------|---------------------------|-------------------------------|----------------------------------|----------------------|----------------------|------------------------|
|    |          |                |                  |                 |                   |                        |                      |                           |                               |                                  | BURNER SERIAL NUMBER | ADVISED PARTS        |                        |
|    |          |                |                  |                 |                   |                        |                      |                           |                               |                                  |                      | MATRICULE BRULEUR    | RECHANGE CONSEIL       |
|    |          |                |                  |                 |                   |                        |                      |                           |                               |                                  |                      | BRENNER KENN-NUMMER  | EMPFOHLENE ERSATZTEILE |
|    |          |                |                  |                 |                   |                        |                      |                           |                               |                                  |                      | MATRICULA QUEMADORES | RECAMBIOS ACONSEJADOS  |
|    |          |                |                  |                 |                   |                        |                      |                           |                               |                                  |                      |                      | **                     |
| 1  | 300376 2 | •              | •                | •               | •                 | GIRANTE                | FAN                  | TURBINE                   | GEBLÄSERAD                    | TURBINA                          |                      | C                    |                        |
| 2  | 3012063  | •              | •                | •               | •                 | QUADRANTE              | GRADUATE SECTOR      | SECTEUR GRADUE            | SKALENSEGMENT                 | SECTOR GRADUADO                  |                      |                      |                        |
| 3  | 3012064  | •              | •                | •               | •                 | LEVA                   | LEVER                | LEVIER                    | HEBELSCHRAUBE                 | PALANCA                          | ≤ 02484999999        | C                    |                        |
| 4  | 3003841  | •              | •                | •               | •                 | CUSCINETTO             | BEARING              | ROULEMENT                 | LAGER                         | COJINETE                         |                      |                      |                        |
| 5  | 3003763  | •              | •                | •               | •                 | VISORE                 | INSPECTION WINDOW    | VISEUR                    | SICHTFENSTER                  | MIRILLA                          |                      |                      |                        |
| 6  | 3003842  | •              | •                | •               | •                 | PERNO                  | BAR                  | GLISSIERE                 | BOLZEN                        | GUÍA                             |                      | C                    |                        |
| 7  | 3003890  | •              | •                | •               | •                 | BOCCA D'ASPIRAZIONE    | AIR INTAKE           | BOITIER D'ASPIRATION      | ANSAUGÖFFNUNG                 | BOCA ASPIRACION                  |                      |                      |                        |
| 8  | 3003830  | •              | •                | •               | •                 | FONOASSORBENTE         | SOUND DAMPING        | INSONORISANT              | GERÄUSCHDÄMMUNG               | AISLANTO ACUSTICO                |                      |                      |                        |
| 9  | 3003843  | •              | •                | •               | •                 | PERNO                  | SCREW                | VIS CREUSE                | HOHLKERNSCHRAUBE              | GUÍA                             |                      |                      |                        |
| 10 | 3003765  | •              | •                | •               | •                 | COFANO                 | COVER                | COFFRET                   | VERKLEIDUNG                   | ENVOLENTE                        |                      |                      |                        |
| 11 | 3003766  | •              | •                | •               | •                 | VITE                   | SCREW                | VIS                       | SCHRAUBE                      | TORNILLO                         |                      |                      |                        |
| 12 | 3007627  | •              | •                | •               | •                 | MEMBRANA               | MEMBRAN              | MEMBRANE                  | MEMBRANE                      | MEMBRANA                         |                      |                      |                        |
| 13 | 3003767  | •              | •                | •               | •                 | CONDENSATORE           | CONDENSER            | CONDENSATEUR              | KONDENSATOR                   | CONDENSADOR                      |                      | B                    |                        |
| 14 | 3012134  | •              | •                | •               | •                 | DISTANZIALE            | SPACER               | ENTRETOISE                | DISTANZSTÜCK                  | DISTANCIADOR                     |                      |                      |                        |
| 15 | 3006948  | •              | •                | •               | •                 | SPINA 4 POLI           | 4 POLE PLUG          | FICHE 4 POLES             | STECKER 4 POLEN               | CONEC. HEMBRA 4 CONTAC.          |                      |                      |                        |
| 16 | 3006937  | •              | •                | •               | •                 | SPINA 7 POLI           | 7 POLE PLUG          | FICHE 7 POLES             | STECKER 7 POLEN               | CONEC. HEMBRA 7 CONTAC.          |                      |                      |                        |
| 17 | 3006938  | •              | •                | •               | •                 | PRESA 7 POLI           | 7 POLE SOCKET        | PRISE 7 POLES             | STECKERBUCHSE 7 POLEN         | CONEC. MACHO 7 CONTAC.           |                      |                      |                        |
| 18 | 3006949  | •              | •                | •               | •                 | PRESA 4 POLI           | 4 POLE SOCKET        | PRISE 4 POLES             | STECKERBUCHSE 4 POLEN         | CONEC. MACHO 4 CONTAC.           |                      |                      |                        |
| 19 | 3012080  | •              | •                | •               | •                 | INTERRUTTORE           | SWITCH               | INTERRUPTEUR              | SCHALTER                      | INTERRUPTOR                      |                      | C                    |                        |
| 20 | 3002478  | •              | •                | •               | •                 | APPARECCHIATURA        | CONTROL BOX          | BOITE DE CONTROLE         | STEUERGERÄT                   | CAJA CONTROL                     |                      | B                    |                        |
| 21 | 3003886  | •              | •                | •               | •                 | SUPPORTO               | SUPPORT              | SUPPORT                   | HALTER                        | SOPORTE                          |                      |                      |                        |
| 22 | 3012883  | •              | •                | •               | •                 | SUPPORTO               | SUPPORT              | SUPPORT                   | HALTER                        | SOPORTE                          |                      |                      |                        |
| 23 | 3003596  | •              | •                | •               | •                 | ZOCCOLO                | BASE                 | SOCLE                     | SOCKEL                        | ZOCALO                           |                      | C                    |                        |
| 24 | 3012062  | •              | •                | •               | •                 | CAMMA COMPLETA         | CAM ASSEMBLY         | CAME COMPLETE             | VERBUNDREGLER                 | EXCÉNTRICO COMPLETO              |                      | C                    |                        |
| 25 | 3013202  | •              | •                | •               | •                 | PRESA -SPINA 6 POLI    | 6 POLE SOCKET - PLUG | PRISE - FICHES 6 POLES    | STECKERBUCHSE-STECKER 6 POLEN | CONEC. MACHO-HEMBRA DE 6 CONTAC. |                      |                      |                        |
| 26 | 301352 6 | •              | •                | •               | •                 | RELE' TERMICO          | THERMAL OVERLOAD     | RELAIS THERMIQUE          | ÜBERSTROMAUSLÖSER             | RÉLE TÉRMICO                     | ≥ 02205000344        | C                    |                        |
| 27 | 3003771  | •              | •                | •               | •                 | MOTORE                 | MOTOR                | MOTEUR                    | MOTOR                         | MOTOR                            |                      | C                    |                        |
| 28 | 3003778  | •              | •                | •               | •                 | ALBERINO               | SHORT SHAFT          | AXE                       | KLEINWELLE                    | ARBORILLO                        |                      |                      |                        |
| 29 | 3003891  | •              | •                | •               | •                 | RACCORDO               | CONNECTOR            | MAMELON                   | NIPPEL                        | RACORD                           |                      | C                    |                        |
| 30 | 3007444  | •              | •                | •               | •                 | PRESSOSTATO ARIA       | AIR PRESSURE SWITCH  | PRESSOSTAT AIR            | LUFTDRUCKWÄCHTER              | PRESOSTATO DEL AIRE              |                      | A                    |                        |
| 31 | 3003788  | •              | •                | •               | •                 | SCUDO ANTERIORE        | FRONT SHIELD         | BOUCLIER AVANT            | VORDERES SCHILD               | ESCUDO ANTERIOR                  |                      |                      |                        |
| 32 | 3012326  | •              | •                | •               | •                 | GHIERA                 | FERRULE              | DISQUE                    | STELLRING                     | VIROLA                           |                      |                      |                        |
| 33 | 3012884  | •              | •                | •               | •                 | IMBUTO FIAMMA          | END CONE             | EMBOUT GUEULARD           | FLAMMENROHR                   | TUBO EXTREMO                     |                      | B                    |                        |
| 34 | 3012885  | •              | •                | •               | •                 | SERVOMOTORE            | SERVOMOTOR           | SERVOMOTEUR               | STELLMOTOR                    | SERVOMOTOR                       |                      | B                    |                        |
| 35 | 3002480  | •              | •                | •               | •                 | TRASFORMATORE          | TRANSFORMER          | TRANSFORMATEUR            | ZÜNDTRANSFORMATOR             | TRANSFORMADOR                    |                      | B                    |                        |
| 36 | 3003848  | •              | •                | •               | •                 | COLLEGAMENTO SONDA     | PROBE CONNECTION     | POUR SONDE                | VERBINDUNG FÜR SONDE          | CABLE CONEXIÓN SONDA             |                      | A                    |                        |
| 37 | 3003794  | •              | •                | •               | •                 | COLLEGAMENTO ELETTRODO | H.T. LEAD            | CONNEXION POUR ELECTRODE  | VERBINDUNG FÜR ELEKTRODE      | CABLE ELECTRODO                  |                      | A                    |                        |
| 38 | 3003409  | •              | •                | •               | •                 | CAVALLOTTO             | U BOLT               | CAVALIER                  | BÜGELBOLZEN                   | SOPORTE FIJACIÓN                 |                      |                      |                        |
| 39 | 3012325  | •              | •                | •               | •                 | ELETTRODO              | ELECTRODE            | ELECTRODE PORCELAINE      | ELEKTRODE                     | ELECTRODO                        |                      | A                    |                        |
| 39 | 3012886  | •              | •                | •               | •                 | ELETTRODO LUNGO        | LONG ELECTRODE       | ELECTRODE PORCELAINE LONG | LANGER ELEKTRODE              | ELECTRODO                        |                      | A                    |                        |
| 40 | 3012173  | •              | •                | •               | •                 | SONDA                  | PROBE                | SONDE                     | FÜHLER                        | SONDA                            |                      | A                    |                        |
| 40 | 3012176  | •              | •                | •               | •                 | SONDA LUNGA            | LONG PROBE           | SONDE LONG                | LANGER FÜHLER                 | SONDA                            |                      | A                    |                        |
| 41 | 3012327  | •              | •                | •               | •                 | GOMITO                 | ELBOW                | COUDE                     | SCHLITTEN                     | CODO                             |                      |                      |                        |
| 42 | 3012887  | •              | •                | •               | •                 | TUBO ESTERNO           | EXTERIOR TUBE        | TUYAU EXTERIEUR           | AUSSERER ROHR                 | TUBO EXTERNO                     |                      |                      |                        |
| 42 | 3012888  | •              | •                | •               | •                 | TUBO ESTERNO           | EXTERIOR TUBE        | TUYAU EXTERIEUR           | AUSSERER ROHR                 | TUBO EXTERNO                     |                      |                      |                        |

| N. | COD.    |                |                  |                 |                     | DESCRIZIONE           | DESCRIPTION              | DESCRIPTION         | BESCHREIBUNG               | DENOMINACION  | MATRICOLA BRUCIATORE<br>BURNER SERIAL NUMBER<br>MATRICULE BRULEUR<br>BRENNER KENN-NUMMER<br>MATRICULA QUEMADORES | RICAMBI CONSIGLIATI<br>ADVISED PARTS<br>RECHANGE CONSEIL<br>EMPFOHLENE ERSATZTEILE<br>RECAMBIOS ACONSEJADOS |
|----|---------|----------------|------------------|-----------------|---------------------|-----------------------|--------------------------|---------------------|----------------------------|---------------|--|---|
|    |         | 3897302-827 T2 | 3897303-827 T2 * | 3897340-827 T41 | 3897341-827 T41 *   |                       |                          |                     |                            |               |  |   |
| 43 | 3012329 | •              | •                |                 | TUBO INTERNO        | INTERIOR TUBE         | TUYAU INTERIEUR          | INNERER ROHR        | TUBO INTERNO               |               |  |   |
| 43 | 3012889 | •              | •                | •               | TUBO INTERNO        | INTERIOR TUBE         | TUYAU INTERIEUR          | INNERER ROHR        | TUBO INTERNO               |               |  |   |
| 44 | 3012160 | •              | •                | •               | FILTRO ANTIDISTURBO | DEGLITCHER            | FILTRE                   | ENTSTÖRER           | FILTRO ANTI-INTERFERENCIA  |               | C  |   |
| 45 | 3003885 | •              | •                | •               | ALBERO CAMMA        | CAM-HOLDER SHAFT      | PIVOT DE LA CAME         | NOCKENWELLE         | EJE DEL EXCENTRICO         |               |  |   |
| 46 | 3003863 | •              | •                | •               | TAPPO               | PLUG                  | BOUCHON A VIS            | SCHRAUBSTÖPSEL      | TAPÓN                      |               |  |   |
| 47 | 3007166 | •              | •                | •               | GUARNIZIONE         | SEAL                  | RONDELLE                 | METALLDICHTUNG      | JUNTA                      |               | B  |   |
| 48 | 3003889 | •              | •                | •               | COLONNETTA          | STUD                  | COLONNETTE               | SCHRAUBBOLZEN       | COLUMNITA                  |               |  |   |
| 49 | 3013138 | •              | •                | •               | TUBETTO             | TUBE                  | TUYAU                    | RÖHRCHEN            | TUBO                       |               |  |   |
| 50 | 3012332 | •              | •                | •               | DISCO               | DISC                  | DISQUE                   | SCHEIBE             | DISCO                      |               |  |   |
| 51 | 3012891 | •              | •                | •               | DISTRIBUTORE GAS    | HEAD                  | DISTRIBUTEUR             | GASVERTEILER        | DISTRIBUIDOR GAS           |               |  |   |
| 52 | 3003873 | •              | •                | •               | GRUPPO MISURAZIONE  | TEST POINT            | PRISE DE PRESSION        | MESSNIPPEL          | GRUPO TOMA DE PRESION      |               |  |   |
| 53 | 3003797 | •              | •                | •               | GRUPPO REGOLATORE   | CONTROL DEVICE        | GROUPE OBTURATION        | DRUCKREGULIERUNG    | GRUPO REGULADOR            |               |  |   |
| 54 | 3012892 | •              | •                | •               | FRONTONE            | FRONT PIECE           | FACADE                   | VORDERTEIL          | SOPORTE QUEMADOR           |               |  |   |
| 55 | 3012893 | •              | •                | •               | OTTURATORE          | SHUTTER               | OBTURATEUR               | SCHIEBER            | OBTURADOR                  |               |  |   |
| 55 | 3012894 | •              | •                | •               | OTTURATORE          | SHUTTER               | OBTURATEUR               | SCHIEBER            | OBTURADOR                  |               |  |   |
| 56 | 3012085 | •              | •                | •               | GRUPPO SERRANDA     | AIR DAMPER ASSEMBLY   | GROUPE VOLET AIR         | LUFTKLAPPE          | CONJUNTO REGISTRO DEL AIRE |               |  |   |
| 57 | 3012895 | •              | •                | •               | CILINDRO CORTO      | SHORT SLEEVE          | CYLINDRE COURT           | KURZER ZYLINDER     | CILINDRO                   |               |  |   |
| 57 | 3012896 | •              | •                | •               | CILINDRO LUNGO      | LONG SLEEVE           | CYLINDRE LONG            | LANGER ZYLINDER     | CILINDRO                   |               |  |   |
| 58 | 3003817 | •              | •                | •               | SCHERMO             | FLANGE GASKET         | ECRAN THERMIQUE          | FLANSCHDICHTUNG     | JUNTA AISLANTE             |               |  |   |
| 59 | 3003893 | •              | •                | •               | GRUPPO MISURAZIONE  | TEST POINT            | PRISE DE PRESSION        | MESSNIPPEL          | GRUPO TOMA DE PRESION      |               |  |   |
| 60 | 3003874 | •              | •                | •               | ALBERO MANICOTTO    | BUTTERFLY VALVE SHAFT | AXE DE LA VANNE PAPILLON | SPINDEL GASDROSSEL  | EJE VALVULA MARIPOSA       |               |  |   |
| 61 | 3003875 | •              | •                | •               | QUADRANTE           | GRADUATE SECTOR       | SECTEUR GRADUE           | SKALENSEGMENT       | SECTOR GRADUADO            |               |  |   |
| 62 | 3003876 | •              | •                | •               | MANICOTTO           | MANIFOLD              | MANCHON                  | GASANSCHLUSS        | COLLARIN                   |               |  |   |
| 63 | 3003878 | •              | •                | •               | INDICE              | INDEX                 | REPERE                   | INDEXSTIFT          | INDICE                     |               |  |   |
| 64 | 3005483 | •              | •                | •               | GUARNIZIONE         | SEAL                  | RONDELLE                 | METALLDICHTUNG      | JUNTA                      |               | B  |   |
| 65 | 3006802 | •              | •                | •               | FLANGIA E GOMITO    | FLANGE AND ELBOW      | BRIDE ET COUDE           | ANSCHLUSSFLANSCHGAS | BRIDA Y CODO               |               |  |   |
| 66 | 3003780 | •              | •                | •               | PASSACAVO           | FAIRLEAD              | PASSE-CABLE              | KABELDURCHGANG      | PASACABLE                  |               |  |   |
| 67 | 3003879 | •              | •                | •               | MOLLA               | SPRING                | RESSORT                  | FEDER               | MUELLE                     | ≤ 02484999999 | A  |   |
| 68 | 3003880 | •              | •                | •               | PERNO               | SCREW                 | VIS CREUSE               | HOHLKERNSCHRAUBE    | PERNO                      |               | C  |   |
| 69 | 3006098 | •              | •                | •               | SNODO SFERICO       | PIN JOINT             | CHAPE A ROTULE           | KUGELGELENK         | ARTICOLACION ESFERICA      |               | C  |   |
| 70 | 3003881 | •              | •                | •               | TIRANTE             | TIE ROD               | TIRANT                   | GESTÄNGE            | TIRANTE                    |               |  |   |
| 71 | 3003203 | •              | •                | •               | ANELLO              | PISTON SEAL           | JOINT TORIQUE            | LIPPENDICHTUNG      | ANILLO                     |               |  |   |
| 72 | 3003888 | •              | •                | •               | DISTANZIALE         | SPACER                | ENTRETOISE               | DISTANZSTÜCK        | DISTANCIADOR               |               |  |   |
| 73 | 3003829 | •              | •                | •               | GUSCIO              | HALF-SHELL            | COUVERCLE                | HAUBE               | CASCARA                    |               |  |   |
| 74 | 3003883 | •              | •                | •               | CUFFIA              | COWLING               | PROTECTION               | CAOUTCH.            | SCHUTZCAPUZÓN              |               |  |   |
| 75 | 3007269 | •              | •                | •               | INTERRUPTORE DIFF.  | GROUND FAULT INTERR.  | INTERRUP DIFFEREN.       | FEHLERSTROMSCHT.    | INTERRUPTOR DIFERE.        |               |  |   |
| 76 | 3013478 | •              | •                | •               | MOLLA - LEVA        | SPRING - LEVER        | RESSORT - LEVIER         | FEDER-HEBELSCHRAUBE | MUELLE - PLANCA            | ≥ 02494000000 | A  |   |

\* = Versione Testa Lunga - Long Combustion Head Version - Version Tête Longue - Langer Brennkopf Ausführung - Versión alargado de tubo llama

\*\* A = Ricambi per dotazione minima - Spare parts for minimum fittings - Pièces détachées pour équipement minimum - Ersatzteile für minimale Ausstattung - Recambios para equipamiento mínimo  
A+B = Ricambi per dotazione base di sicurezza - Spare parts for basic safety fittings - Pièces détachées pour équipement standard de sécurité - Ersatzteile für Sicherheitsgrundausrüstung - Recambios para equipamiento básico de seguridad  
A+B+C = Ricambi per dotazione estesa di sicurezza - Spare parts for extended safety fittings - Pièces détachées pour équipement complet de sécurité - Ersatzteile für erweiterte Sicherheitsausstattung - Recambios para equipamiento general de seguridad



RIELLO S.p.A.  
Via degli Alpini 1  
I - 37045 Legnago (VR)  
Tel.: +39.0442.630111 Fax: +39.0442.22378  
http:// www.rielloburners.com