

Bruciatori di gasolio

Light oil burners

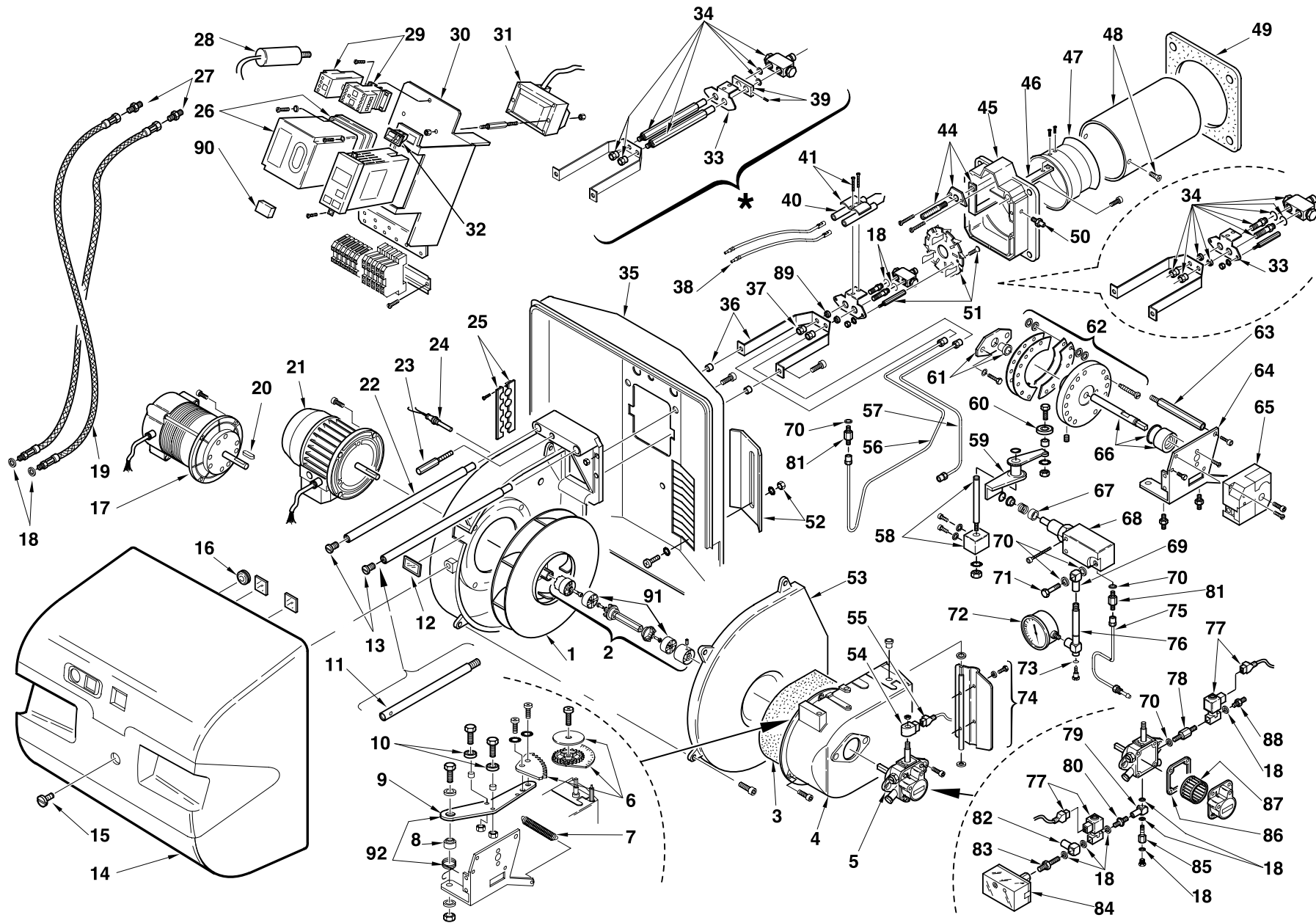
Brûleurs fioul domestique

Ölbrenner

Quemadores de gasóleo

Funzionamento bistadio progressivo o modulante
Progressive two-stage or modulating operation
Fonctionnement à 2 allures progressives ou modulant
Gleitend-zweistufiger oder modulierender Betrieb
Funcionamiento con dos llama progresivo o modulante

| COD. | MOD. | TYP. |
|----------------|----------------|--------------|
| 3471002 | RL 28/M | 663 M |
| 3471003 | RL 28/M | 663 M |
| 3471402 | RL 38/M | 664 M |
| 3471403 | RL 38/M | 664 M |
| 3471602 | RL 50/M | 665 M |
| 3471603 | RL 50/M | 665 M |



| N. | COD. | 663 M | | 664 M | | 665 M | | DESCRIZIONE | DESCRIPTION | DESCRIPTION | BESCHREIBUNG | DENOMINACION | MATRICOLA BRUCIATORE BURNER SERIAL NUMBER MATRICULE BRULEUR BRENNER KENN-NUMMER MATRICULA QUEMAD: RES | RICAMBI CONSIGLIATI ADVISED PARTS RECHANGE CONSEIL EMPFOHLENE ERSATZTEILE RECAMBIOS A CONSEJADOS |
|----|---------|---------|-----------|---------|-----------|---------|-----------|---------------------|-------------------|-----------------------|-------------------|------------------------|---|--|
| | | 3471002 | 3471003 * | 3471402 | 3471403 * | 3471602 | 3471603 * | | | | | | | |
| 1 | 3003760 | • | • | | | | | GIRANTE | FAN | TURBINE | GEBLÄSERAD | TURBINA | | C |
| 1 | 3003761 | | | • | • | | | GIRANTE | FAN | TURBINE | GEBLÄSERAD | TURBINA | | C |
| 1 | 3003762 | | | | | • | • | GIRANTE | FAN | TURBINE | GEBLÄSERAD | TURBINA | | C |
| 2 | 3003758 | • | • | • | • | • | • | GRUPPO GIUNZIONE | DRIVE COUPLING | ACCOUPLMENT | KUPPLUNG | CONJUNTO | | A |
| 3 | 3003820 | • | • | • | • | • | • | FONOASSORBENTE | SOUND DAMPING | INSONORISANT | GERÄUSCHDÄMMUNG | AISLAMIENTO AC,, STICO | | |
| 4 | 3012090 | • | • | • | • | • | • | BOCCA D'ASPIRAZIONE | AIR INTAKE | BOITIER D'ASPIRATION | ANSAUGÖFFNUNG | BOCA ASPIRACION | | |
| 5 | 3003835 | • | • | | | | | POMPA | PUMP | POMPE | PUMPE | BOMBA | | A |
| 5 | 3003998 | | | • | • | • | • | POMPA | PUMP | POMPE | PUMPE | BOMBA | | A |
| 6 | 3012063 | • | • | • | • | • | • | QUADRANTE | GRADUATE SECTOR | SECTEUR GRADUE | SKALENSEGMENT | CUADRANTE | | |
| 7 | 3003879 | • | • | • | • | • | • | MOLLA | SPRING | RESSORT | FEDER | MUELLE | ≤ 02484999999 | A |
| 8 | 3003843 | • | • | • | • | • | • | PERNO | SCREW | VIS CREUSE | HOHLKERNSCHRAUBE | PERNO | | C |
| 9 | 3012064 | • | • | • | • | • | • | LEVA | LEVER | LEVIER | HEBELSCHRAUBE | PALANCA | ≤ 02484999999 | C |
| 10 | 3003841 | • | • | • | • | • | • | CUSCINETTO | BEARING | ROULEMENT | LAGER | COJINETE | | |
| 11 | 3003764 | | | • | • | | | PROLUNGA PERNO | BAR EXTENSION | RALLONGE DE GLISSIERE | VERLÄNGERUNG | PROLUNGACION GUIA | | C |
| 12 | 3003763 | • | • | • | • | • | • | VISORE | INSPECTION WINDOW | VISEUR | SICHTFENSTER | VISOR | | |
| 13 | 3003776 | • | • | • | • | • | • | VITE | SCREW | VIS | SCHRAUBE | TORNILLO | | |
| 14 | 3003765 | • | • | • | • | • | • | COFANO | COVER | COFFRET | VERKLEIDUNG | ENVOLVENTE | | |
| 15 | 3003766 | • | • | • | • | • | • | VITE | SCREW | VIS | SCHRAUBE | TORNILLO | | |
| 16 | 3007627 | • | • | • | • | • | • | MEMBRANA | MEMBRAN | MEMBRANE | MEMBRANE | MENBRANA | | |
| 17 | 3003768 | • | • | | | | | MOTORE | MOTOR | MOTEUR | MOTOR | MOTOR | ≤ 02045000302 | C |
| 17 | 3013490 | • | • | | | | | MOTORE | MOTOR | MOTEUR | MOTOR | MOTOR | ≥ 02045000303 | C |
| 18 | 3007079 | • | • | • | • | • | • | GUARNIZIONE | SEAL | RONDELLE | METALLDICHTUNG | JUNTA | | A |
| 19 | 3003769 | • | • | • | • | • | • | TUBO FLESSIBILE | FLEXIBLE OIL LINE | FLEXIBLE | SCHLAUCH | TUBO FLEXIBLE | | A |
| 20 | 3003816 | • | • | | | | | CHIAVETTA | KEY | CLAVETTE | PASSFEDER | CHAVELA | | |
| 21 | 3003772 | | | • | • | | | MOTORE | MOTOR | MOTEUR | MOTOR | MOTOR | | C |
| 21 | 3003773 | | | | | • | • | MOTORE | MOTOR | MOTEUR | MOTOR | MOTOR | | C |
| 22 | 3003777 | • | • | • | • | • | • | PERNO | BAR | GLISSIERE | BOLZEN | PERNO | | C |
| 23 | 3003778 | • | • | • | • | • | • | ALBERINO | SHORT SHAFT | AXE | KLEINWELL | ARBORILLO | | |
| 24 | 3012091 | • | • | • | • | • | • | FOTORESISTENZA | P.E. CELL | CELLULE | FOTOWIDERSTAND | FOTOCELULA U.V. | | A |
| 25 | 3003780 | • | • | • | • | • | • | PASSACAVO | FAIRLEAD | PASSE-CABLE | KABELDURCHGANG | PASACABLES | | |
| 26 | 3006215 | • | • | • | • | • | • | APPARECCHIATURA | CONTROL BOX | BOITE DE CONTROLE | STEUERGERÄT | CAJA CONTROL | | B |
| 27 | 3009068 | • | • | • | • | • | • | RACCORDO | CONNECTOR | MAMELON | NIPPEL | RACORD | | |
| 28 | 3005285 | • | • | | | | | CONDENSATORE | CONDENSER | CONDENSATEUR | KONDENSATOR | CONDENSADOR | ≤ 02045000302 | B |
| 28 | 3006614 | • | • | | | | | CONDENSATORE | CONDENSER | CONDENSATEUR | KONDENSATOR | CONDENSADOR | ≥ 02045000303 | B |
| 29 | 3003781 | | | • | • | | | AVVIATORE | STARTER | DEMARREUR | ANLASSER | ARRANCADOR | | C |
| 29 | 3003782 | | | | | • | • | AVVIATORE | STARTER | DEMARREUR | ANLASSER | ARRANCADOR | | C |
| 30 | 3012079 | • | • | • | • | • | • | SUPPORTO | SUPPORT | SUPPORT | HALTER | SOPORTE | | |
| 31 | 3003785 | • | • | • | • | • | • | TRASFORMATORE | TRANSFORMER | TRANSFORMATEUR | ZÜNDTRANSFORMATOR | TRANSFORMADOR | | B |
| 32 | 3012080 | • | • | • | • | • | • | INTERRUTTORE | SWITCH | INTERRUPTEUR | SCHALTER | INTERRUPTOR | | C |
| 33 | 3012092 | • | • | | | | | SUPPORTO | SUPPORT | SUPPORT | HALTER | SOPORTE | | |
| 33 | 3012128 | • | • | | | | | SUPPORTO | SUPPORT | SUPPORT | HALTER | SOPORTE | | |
| 34 | 3012096 | • | • | • | • | • | • | GRUPPO PORTAUGELLO | NOZZLE HOLDER | GROUPE PORTE-GICLEUR | DÜSENSTOCK | GRUPO PORTAQUILLA | | C |
| 35 | 3012089 | • | • | • | • | • | • | SCUDO ANTERIORE | FRONT SHIELD | BOUCLIER AVANT | VORDERES SCHILD | ESCUDO ANTERIOR | | |

| N. | COD. | 663 M | | 664 M | | 665 M | | DESCRIZIONE | DESCRIPTION | DESCRIPTION | BESCHREIBUNG | DENOMINACION | MATRICOLA BRUCIATORE BURNER SERIAL NUMBER MATRICULE BRULEUR BRENNER KENN-NUMMER MATRICULA QUEMAD† RES | RICAMBI CONSIGLIATI ADVISED PARTS RECHANGE CONSEIL EMPFOHLENE ERSATZTEILE RECAMBIOS A CONSEJADOS |
|----|---------|---------|-----------|---------|-----------|---------|-----------|-------------------|----------------|----------------------|------------------|---------------------|---|--|
| | | 3471002 | 3471003 * | 3471402 | 3471403 * | 3471602 | 3471603 * | | | | | | | |
| 36 | 3012094 | • | • | • | • | • | • | SUPPORTO | SUPPORT | SUPPORT | HALTER | SOPORTE | | |
| 37 | 3012095 | • | • | • | • | • | • | DADO | NUT | ECROU BORGNE | MUTTER | TUERCA | | |
| 38 | 3003794 | • | | • | | • | | COLLEGAMENTO | H.T. LEAD | CABLE H.T. | ZÜNDKABEL | CABLES ELECTRODOS | | A |
| 38 | 3003795 | | • | | • | | • | COLLEGAMENTO | H.T. LEAD | CABLE H.T. | ZÜNDKABEL | CABLES ELECTRODOS | | A |
| 39 | 3003790 | | • | | • | | • | PIASTRA | ANCHOR PLATE | PLATINE DE BLOCAGE | ARRETIERPLATTE | PLATINA | | |
| 40 | 3003796 | • | • | • | • | • | • | ELETTRODO | ELECTRODE | ELECTRODE PORCELAINE | ELEKTRODE | ELECTRODO | | A |
| 41 | 3003495 | • | • | • | • | • | • | CAVALLOTTO | U BOLT | CAVALIER | BÜGELBOLZEN | FIJACION ELECTRODO | | |
| 42 | | | | | | | | | | | | | | |
| 43 | | | | | | | | | | | | | | |
| 44 | 3003797 | • | • | • | • | • | • | GRUPPO REGOLATORE | CONTROL DEVICE | GROUPE OBTURATION | DRUCKREGULIERUNG | GRUPO REGULACION | | |
| 45 | 3003798 | • | • | • | • | | | FRONTONE | FONT PIECE | FACADE | VORDERTEIL | SOPORTE QUEMADOR | | |
| 45 | 3003838 | | | | | • | • | FRONTONE | FONT PIECE | FACADE | VORDERTEIL | SOPORTE QUEMADOR | | |
| 46 | 3012098 | • | | | | | | SQUADRETTA | SQUARE | EQUERRE-SUPPORT | HALTER | ESCUADRA | | |
| 46 | 3003800 | | • | | | | | SQUADRETTA | SQUARE | EQUERRE-SUPPORT | HALTER | ESCUADRA | | |
| 46 | 3012099 | | | • | | | | SQUADRETTA | SQUARE | EQUERRE-SUPPORT | HALTER | ESCUADRA | | |
| 46 | 3003802 | | | | • | | | SQUADRETTA | SQUARE | EQUERRE-SUPPORT | HALTER | ESCUADRA | | |
| 46 | 3012100 | | | | | • | | SQUADRETTA | SQUARE | EQUERRE-SUPPORT | HALTER | ESCUADRA | | |
| 46 | 3003804 | | | | | • | | SQUADRETTA | SQUARE | EQUERRE-SUPPORT | HALTER | ESCUADRA | | |
| 47 | 3003805 | • | • | • | • | | | OTTURATORE | SHUTTER | OBTURATEUR | SCHIEBER | OBTURADOR | | C |
| 47 | 3003806 | | | | | • | • | OTTURATORE | SHUTTER | OBTURATEUR | SCHIEBER | OBTURADOR | | C |
| 48 | 3012101 | • | | | | | | IMBUTO FIAMMA | END CONE | EMBOUT GUEULARD | FLAMMENROHR | TUBO EXTREMO | | B |
| 48 | 3003808 | | • | | | | | IMBUTO FIAMMA | END CONE | EMBOUT GUEULARD | FLAMMENROHR | TUBO EXTREMO | | B |
| 48 | 3012102 | | | • | | | | IMBUTO FIAMMA | END CONE | EMBOUT GUEULARD | FLAMMENROHR | TUBO EXTREMO | | B |
| 48 | 3003810 | | | | • | | | IMBUTO FIAMMA | END CONE | EMBOUT GUEULARD | FLAMMENROHR | TUBO EXTREMO | | B |
| 48 | 3012103 | | | | | • | | IMBUTO FIAMMA | END CONE | EMBOUT GUEULARD | FLAMMENROHR | TUBO EXTREMO | | B |
| 48 | 3003812 | | | | | • | | IMBUTO FIAMMA | END CONE | EMBOUT GUEULARD | FLAMMENROHR | TUBO EXTREMO | | B |
| 49 | 3003817 | • | • | • | • | • | • | SCHERMO | FLANGE GASKET | ECRAN THERMIQUE | FLANSCHDICHTUNG | JUNTA AISLANTE | | A |
| 50 | 3003893 | • | • | • | • | • | • | RACCORDO | CONNECTOR | MAMELON | NIPPEL | RACORD | | |
| 51 | 3012104 | • | | | | | | ELICA | DIFFUSER DISC | ACCROCHE FLAMME | STAUSCHEIBE | DISCO ESTABILIZADOR | | A |
| 51 | 3012105 | | • | | | | | ELICA | DIFFUSER DISC | ACCROCHE FLAMME | STAUSCHEIBE | DISCO ESTABILIZADOR | | A |
| 51 | 3012106 | | | • | | | | ELICA | DIFFUSER DISC | ACCROCHE FLAMME | STAUSCHEIBE | DISCO ESTABILIZADOR | | A |
| 51 | 3012107 | | | | • | | | ELICA | DIFFUSER DISC | ACCROCHE FLAMME | STAUSCHEIBE | DISCO ESTABILIZADOR | | A |
| 51 | 3012108 | | | | | • | | ELICA | DIFFUSER DISC | ACCROCHE FLAMME | STAUSCHEIBE | DISCO ESTABILIZADOR | | A |
| 51 | 3012109 | | | | | • | | ELICA | DIFFUSER DISC | ACCROCHE FLAMME | STAUSCHEIBE | DISCO ESTABILIZADOR | | A |
| 52 | 3012110 | • | • | • | • | • | • | PIASTRA | ANCHOR PLATE | PLATINE DE BLOCAGE | ARRETIERPLATTE | PLATINA | | |
| 53 | 3012111 | • | • | • | • | • | • | GUSCIO | HALF-SHELL | COUVERCLE | HAUBE | CÆSCARA | | |
| 54 | 3003594 | • | • | • | • | • | • | BOBINA | COIL | BOBINE E.V. | MV-SPULE | BOBINA | | B |
| 55 | 3003827 | • | • | • | • | • | • | COLLEGAMENTO | LEAD | CONNEXION | VERBINDUNG | CABLE CONEXI† N | | |
| 56 | 3012112 | • | • | • | • | • | • | TUBO | TUBE | TUYAUTERIE | DRUCKROHR | TUBO | | |
| 57 | 3012113 | • | • | • | • | • | • | TUBO | TUBE | TUYAUTERIE | DRUCKROHR | TUBO | | |
| 58 | 3012114 | • | • | • | • | • | • | ALBERINO | SHORT SHAFT | AXE | KLEINWELLE | ARBORILLO | | |
| 59 | 3012115 | • | • | • | • | • | • | LEVA | LEVER | LEVIER | HEBELSCHRAUBE | PALANCA | | |
| 60 | 3012116 | • | • | • | • | • | • | CUSCINETTO | BEARING | ROULEMENT | LAGER | COJINETE | | |

* = Versione Testa Lunga - Long Combustion Head Version - Version Tête Longue - Langer Brennkopf Ausführung - Version alargado de tubo llama

| N. | COD. | 663 M | | 664 M | | 665 M | | DESCRIZIONE | DESCRIPTION | DESCRIPTION | BESCHREIBUNG | DENOMINACION | MATRICOLA BRUCIATORE BURNER SERIAL NUMBER MATRICULE BRULEUR BRENNER KENN-NUMMER MATRICULA QUEMAD+ RES | RICAMBI CONSIGLIATI ADVISED PARTS RECHANGE CONSEIL EMPFOHLENE ERSATZTEILE RECAMBIOS A CONSEJADOS |
|----|---------|---------|-----------|---------|-----------|---------|-----------|---------------------|---------------------|--------------------|--------------------|---------------------------|---|--|
| | | 3471002 | 3471003 * | 3471402 | 3471403 * | 3471602 | 3471603 * | | | | | | | |
| 61 | 3012117 | • | • | • | • | • | • | PIASTRA | ANCHOR PLATE | PLATINE DE BLOCAGE | ARRETIERPLATTE | PLATINA | | |
| 62 | 3012118 | • | • | • | • | • | • | CAMMA COMPLETA | CAM ASSEMBLY | CAME COMPLETE | VERBUNDREGLER | EXCÉNTRICO COMPLETO | | C |
| 63 | 3003889 | • | • | • | • | • | • | COLONNETTA | STUD | COLONNETTE | SCHRAUBBOLZEN | COLUMNITA | | |
| 64 | 3012119 | • | • | • | • | • | • | SUPPORTO | SUPPORT | SUPPORT | HALTER | SOPORTE | | |
| 65 | 3012087 | • | • | • | • | • | • | SERVOMOTORE | SERVOMOTOR | SERVOMOTEUR | STELLMOTOR | SERVOMOTOR | | B |
| 66 | 3012120 | • | • | • | • | • | • | ALBERO CAMMA | CAM-HOLDER SHAFT | PIVOT DE LA CAME | NOCKENWELLE | ARBORILLO EXENTRICO | | |
| 67 | 3012121 | • | • | • | • | • | • | GUARNIZIONE | SEAL | RONDELLE | METALLDICHTUNG | JUNTA | | A |
| 68 | 3012122 | • | • | • | • | • | • | MODULATORE | MODULATOR | MODULATEUR | MODULATOR | MODULADOR | | B |
| 69 | 3012123 | • | • | • | • | • | • | RACCORDO | CONNECTOR | MAMELON | NIPPEL | RACORD | | |
| 70 | 3007077 | • | • | • | • | • | • | GUARNIZIONE | SEAL | RONDELLE | METALLDICHTUNG | JUNTA | | A |
| 71 | 3012617 | • | • | • | • | • | • | PERNO | SCREW | VIS CREUSE | HOHLKERNSCHRAUBE | GUIA | | C |
| 72 | 3006140 | • | • | • | • | • | • | MANOMETRO | PRESSURE GAUGE | MANOMETRE | MANOMETER | MANOMETRO | | A |
| 73 | 3007169 | • | • | • | • | • | • | ANELLO OR | O RING | JOINT TORIQUE | O-RING | JUNTA T+ RICA | | A |
| 74 | 3012085 | • | • | • | • | • | • | GRUPPO SERRANDA | AIR DAMPER ASSEMBLY | GROUPE VOLET AIR | LUFTKLAPPE | COJUNTO REGISTRO AIRE | | |
| 75 | 3012124 | • | • | • | • | • | • | TUBO | TUBE | TUYAUTERIE | DRUCKROHR | TUBO | | |
| 76 | 3006540 | • | • | • | • | • | • | VALVOLA | NEEDLE VALVE | ROBINET POINTEAU | NADELVENTIL | VæLVULA | | B |
| 77 | 3006373 | • | • | • | • | • | • | VALVOLA | NEEDLE VALVE | ROBINET POINTEAU | NADELVENTIL | VæLVULA | | B |
| 78 | 3012125 | • | • | • | • | • | • | RACCORDO | CONNECTOR | MAMELON | NIPPEL | RACORD | | |
| 79 | 3012126 | • | • | • | • | • | • | RACCORDO | CONNECTOR | MAMELON | NIPPEL | RACORD | | |
| 80 | 3009075 | • | • | • | • | • | • | RACCORDO | CONNECTOR | MAMELON | NIPPEL | RACORD | | |
| 81 | 3006720 | • | • | • | • | • | • | RACCORDO | CONNECTOR | MAMELON | NIPPEL | RACORD | | |
| 82 | 3006784 | • | • | • | • | • | • | RACCORDO | CONNECTOR | MAMELON | NIPPEL | RACORD | | |
| 83 | 3007598 | • | • | • | • | • | • | RACCORDO | CONNECTOR | MAMELON | NIPPEL | RACORD | | |
| 84 | 3006645 | • | • | • | • | • | • | RACCORDO | CONNECTOR | MAMELON | NIPPEL | RACORD | | |
| 85 | 3005804 | • | • | • | • | • | • | PRESSOSTATO | PRESSURE SWITCH | PRESSOSTAT | PRESSOSTAT | PRESOSTATO | | B |
| 86 | 3005804 | • | • | • | • | • | • | PERNO | SCREW | VIS CREUSE | HOHLKERNSCHRAUBE | GUIA | | C |
| 87 | 3003081 | • | • | • | • | • | • | GUARNIZIONE | SEAL | RONDELLE | PUMPUNDICHTUNG | JUNTA | | A |
| 88 | 3003082 | • | • | • | • | • | • | FILTRO | FILTER | FILTRE | PUMPENFILTER | FILTRO | | A |
| 89 | 3003005 | • | • | • | • | • | • | RACCORDO | CONNECTOR | MAMELON | NIPPEL | RACORD | | |
| 90 | 3012127 | • | • | • | • | • | • | DISTANZIALE | SPACER | ENTRETOISE | DISTANZSTÜCK | ESPACIADOR | | |
| 91 | 3012160 | • | • | • | • | • | • | FILTRO ANTIDISTURBO | DEGLITCHER | FILTRE | ENTSTÖRER | FILTRO ANTI-INTERFERENCIA | | |
| 92 | 3012155 | • | • | • | • | • | • | FILTRO ANTIDISTURBO | DEGLITCHER | FILTRE | ENTSTÖRER | FILTRO ANTI-INTERFERENCIA | | |
| 91 | 3012622 | • | • | • | • | • | • | DISCO ELASTICO | DRIVE DISK | DISQUE ELASTIQUE | KUPPLUNGSSCHEIB | DISCO ELASTICO | | |
| 92 | 3013478 | • | • | • | • | • | • | MOLLA - LEVA | SPRING - LEVER | RESSORT - LEVIER | FEDER - HEBELSCHR. | MUELLE - PLANCA | ≥ 02494000000 | A |

* = Versione Testa Lunga - Long Combustion Head Version - Version Tête Longue - Langer Brennkopf Ausführung - Version alargado de tubo llama

8169

**

A = Ricambi per dotazione minima - Spare parts for minimum fittings - Pièces détachées pour équipement minimum - Ersatzteile für minimale Ausstattung - Recambios para equipamiento mínimo

A+B = Ricambi per dotazione base di sicurezza - Spare parts for basic safety fittings - Pièces détachées pour équipement standard de sécurité - Ersatzteile für Sicherheitsgrundausrüstung - Recambios para equipamiento básico de seguridad

A+B+C = Ricambi per dotazione estesa di sicurezza - Spare parts for extended safety fittings - Pièces détachées pour équipement complet de sécurité - Ersatzteile für erweiterte Sicherheitsausstattung - Recambios para equipamiento general de seguridad



RIELLO S.p.A.
Via degli Alpini 1
I - 37045 Legnago (VR)
Tel.: +39.0442.630111 Fax: +39.0442.22378
[http:// www.rielloburners.com](http://www.rielloburners.com)